

RESIDENTIAL PRODUCTS

MODULE:

Current products available:

1. Colour Chart
2. Full Product Range
3. Ventilator Product Range
4. Sparkguard
5. Supavent
6. Add A Fan
7. Vent-a-room
8. Turbo Beam
9. Cathedral Ceiling Kit
10. Windmaster and Windmaster DTC (cyclonic)
11. AiroMatic
12. Ventilation Market Product Comparison
13. Turbo Ventura
14. Bathroom Kit
15. Sewer Vent
16. Sure Draft
17. Whirly Mate
18. Air Master
19. Round Ceiling Registers
20. Air Master 150EC
21. Poly Eave Vent
22. Roof Valve
23. Maestro
24. Ventilation Market Product Comparison- Mechanical Ventilators
25. Steam Away
26. Air X Changer
27. Ecofan
28. Aeropac
29. Solabrite 300 & 400 & Plus
30. Packed Weights & Sizes (Domestic Products)

Edmonds has long enjoyed the reputation as number one in the Australian ventilation market with a strong portfolio of products supported by innovative product development.

The product manufactured and marketed by Edmonds are broken down into these categories:

ROOF SPACE VENTILATION	SupaVent
	TurboBeam
	Windmaster/ Windmaster DTC
	AiroMatic
	Turbo Ventura
	Maestro
	Roof Valve
LIVING SPACE VENTILATION	Vent-A-Room
	Cathedral Ceiling Kit
	Bathroom Kit
	Steam Away
	SteamAway Ducting Kit
	AirXchanger
	Odyssey
SUB-FLOOR VENTILATION	EcoFan
CONDITIONING VENTILATION	Sonair
MISCELLANEOUS VENTILATION	SureDraft
	GP Vent
	Sewer Vent
GRILLES	Whirly Mate
	Round Ceiling Grille
	AirMaster
	AirMaster 150
	Wall Exhaust Grille
SKYLIGHTS	SolaBrite 300
	SolaBrite 400
	SolaBrite Plus
ACCESSORIES	Add-A-Fan
	Turbine Shutter
	Poly Eave Vent
	SparkGuard
	Mounting Box

VENTILATOR PRODUCT CATEGORIES:

3

Best

Mechanical and hybrid ventilators are the top level option as they don't rely on wind to, deliver a known flow rate and are controllable. However there is an ongoing operating cost consideration for the electric versions and a higher base cost (including the need for a suitable power point – except solar model).

Each of the ventilator options can be incorporated into a living space ventilator solution which dramatically improves the home ventilation options available to the homeowner.

Description

A lightweight roof mounted, turbine ventilator. The SupaVent is constructed from, a UV stable engineering polymer with a vertical vane design. It incorporates top and bottom precision stainless steel bearings. 15 year warranty available.

Technical specifications

- Flow rate: 50 litres/second @ 12 km/h wind speed
- Rated wind speed: 240 km/h
- Throat size: 250mm

Technical features

- Vertical vane design
- Stainless steel bearings
- Malleable base fits most roof types
- Adjustable throat suits slopes up to 45°
- Presently available in 16 colours



Unique selling features

- Attractive, aerodynamic profile that complements most Australian homes
- Bearings capable of resisting salt spray environment suitable for installations within 5km of coast
- Hail resistant
- Tested to 240km/hr wind speed by Delft University, The Netherlands.
- Tested to Australian standard for rain penetration by CSIRO.

Market positioning

- Edmonds top-of-the-range domestic vent
- Bearings will not rust
- Polymer material UV resistant
- Aesthetically appealing, compliments roof line

Reseller features & benefits

- Product occupies about 2/3 the shelf space of 300mm vents
- Product sells at top of market with high margins for retailers
- Product is unique; no equivalent design is available from competitors

Warranty

- CSR Edmonds warrants this product when used on domestic premises for 15 years against defects in workmanship, parts or mechanical failure. (See full warranty details).

Description

A 12V DC electronic commutating (EC) motorised booster fan unit that can be installed at the base of the SupaVent. The fan can have a thermostat or manual control. ADD A FAN comes into action as a powered ventilator when the exhaust rate of SupaVent is insufficient to maintain attic temperature at an acceptable level. This can occur during periods of low wind. This is a simple Hybrid concept but performance of the SupaVent is decreased when the unit is not on, due to restriction of the throat.



Technical specifications

- Rated wind speed: N/A
- Throat size: 250mm
- 7W EC motor

Technical features

- Custom designed 250mm housing to fit under the Supavent
- Optional thermostatic control

Unique selling features

- Low operating cost. Estimated at less than \$AUD 15 per annum.
- Reliable operation regardless of wind speed.
- Relatively quiet operation.
- EC motor has life expectancy in excess of 7 years.
- No need for electrician (provided power point is within 5 metres)

Market position

- Low operating cost
- Low operating noise
- Highest quality German motor technology

Reseller features & benefits

- Good add-on sale for SupaVent if the customer is concerned with performance.
- Reliable ventilation during hot, calm weather periods.

Warranty

- CSR Edmonds warrants the motor for 2 years against mechanical failure. (See full warranty for details)

Description

A natural ventilation system designed to remove trapped heat from rooms. Vent-A-Room system is ideal for homes that are unoccupied during the day. It enables hot, stuffy air to be removed without the need for opening windows. The kit consists of 1x SupaVent, 1x 3m x 250mm length of ducting, 1x 250mm ceiling grille, 1x duct tape.

Technical specifications

- Flow rate: 50 litres/second @ 12 km/h wind speed
- Rated wind speed: 216 km/h
- Throat size: 250mm

Technical features

- SupaVent uses vertical vane design & stainless steel bearings
- SupaVent has a malleable base fits most roof types & adjustable throat suits slopes up to 45°
- Presently available in 16 colours
- Ceiling grille can be opened & closed depending on season

Unique selling features

- Attractive, aerodynamic profile that complements most Australian homes.
- SupaVent tested to 240km/hr wind speed by Delft University, The Netherlands.
- SupaVent tested to Australian standard for rain penetration by CSIRO

Market position

- Edmonds top-of-the-range domestic vent.
- Bearings will not rust.
- Polymer material UV resistant.

Reseller features & benefits

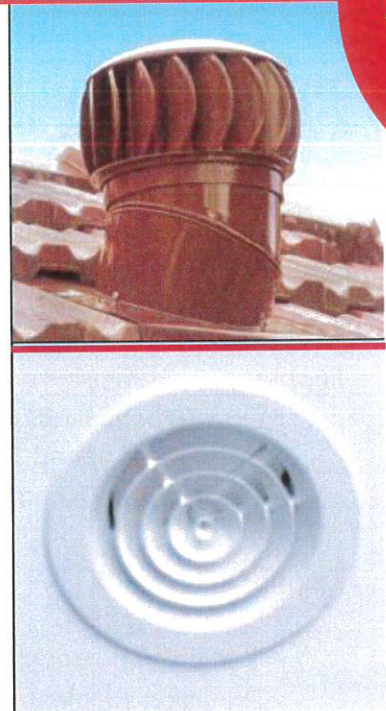
- Product is unique; no equivalent design is available from competitors.
- 17 popular colours available

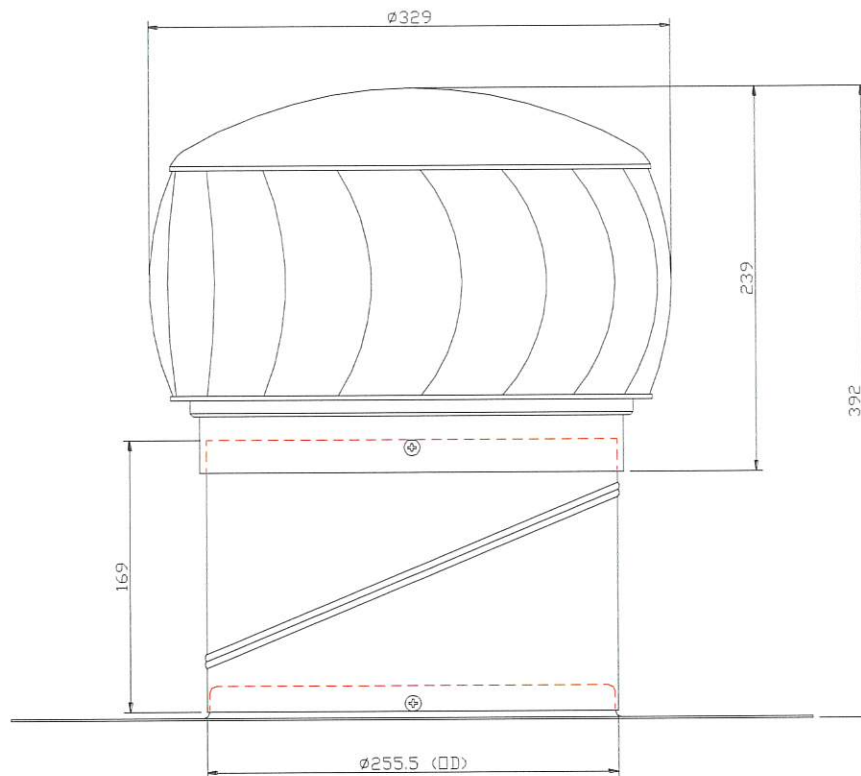
Competitive products

- No Direct Competitors

Warranty

- CSR Edmonds warrants this product when used on domestic premises for 15 years against defects in workmanship, parts, or mechanical failure. (See full warranty for details)



**SPECIFICATIONS:****Material:**

Top:	High impact acrylic (PMMA) – excluding dome
Dome:	Medium impact acrylic (PMMA)
Shaft:	Aluminium
Varipitch:	0.7mm internally polished aluminium
Flashing:	500x500x0.7mm soft aluminium

Rotation Bearings:

Twin 608ZZ ball bearings (440 stainless steel)

Weight:

Top:	1.2kg
Varipitch:	0.3kg
Flashing:	0.4kg
Total:	1.9kg

Wind Speed Rating:

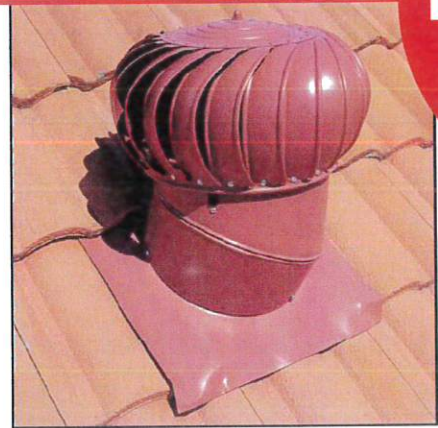
205.2km/h (57m/s) – Performance level 1 (As per AS 4740:2000 Natural ventilators-Classification and performance)

Tolerances:

Size +/- 3mm
Weight +/- 0.1kg

Description

A 300mm spherical vane shape vent made from aluminium and containing two precision steel bearings. The rotating shaft is supported by glass reinforced nylon support sections with both bearings located in a bottom bearing holder.

**Technical specifications**

- Flow rate: 73 litres/second @ 12 km/h wind speed if throat unimpeded by tiles
- Rated wind speed: 185 km/h
- Throat size: 300mm

Technical features

- No top bearing
- Adjustable varipitch 0° to 45°

Unique selling features

- Easily replaceable bearings - this is only common vent on the market that offers this benefit
- Available in 25 popular colours or mill finish

Market positioning

- Most reliable vent
- Highest quality
- Replaceable bearing system
- Available in 25 colours or mill
- Reinforced dome

Reseller features & benefits

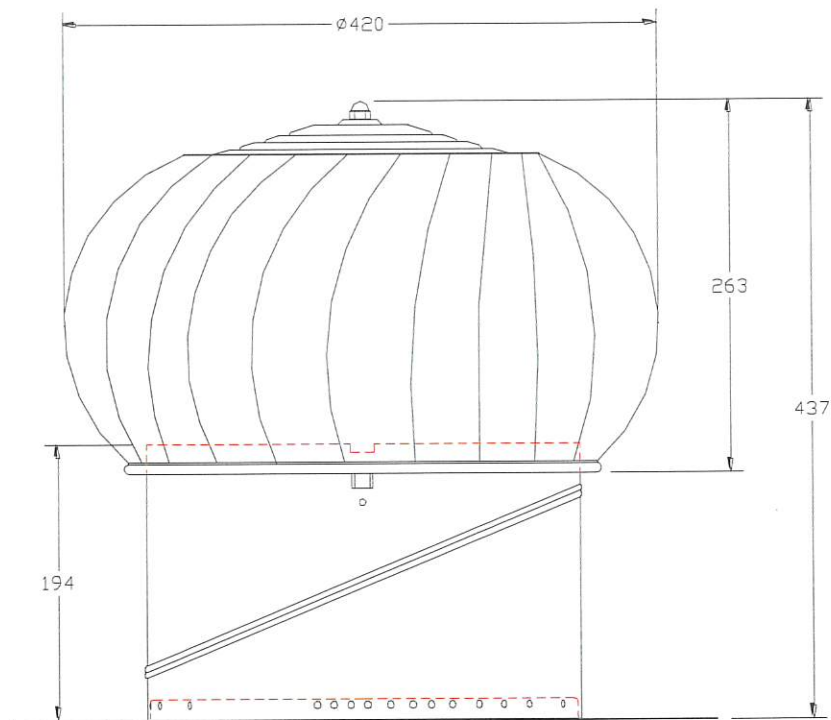
- Comprehensive colour range – probably the best available
- Most colours available ex stock. This is a key benefit to most retailers who know they are likely to lose a customer if they are forced to wait a week or more for product

Warranty

- CSR Edmonds warrants this product when used on domestic premises for 10 years on the bearings and lifetime on the body against defects in workmanship, parts or mechanical failure. (See full warranty for details)

WINDMASTER DTC (CYCLONE AREAS):

11



SPECIFICATIONS:

Material:

Top:	All aluminium with glass filled nylon main bearing housing
Shaft:	Zinc passivate plated mild steel
Varipitch:	Aluminium
Flashing:	500x500x0.7mm soft aluminium
Cyclone straps:	2 Aluminium straps.

Rotation Bearings:

Twin 608ZZ ball bearings (high carbon chromium steel)

Weight:

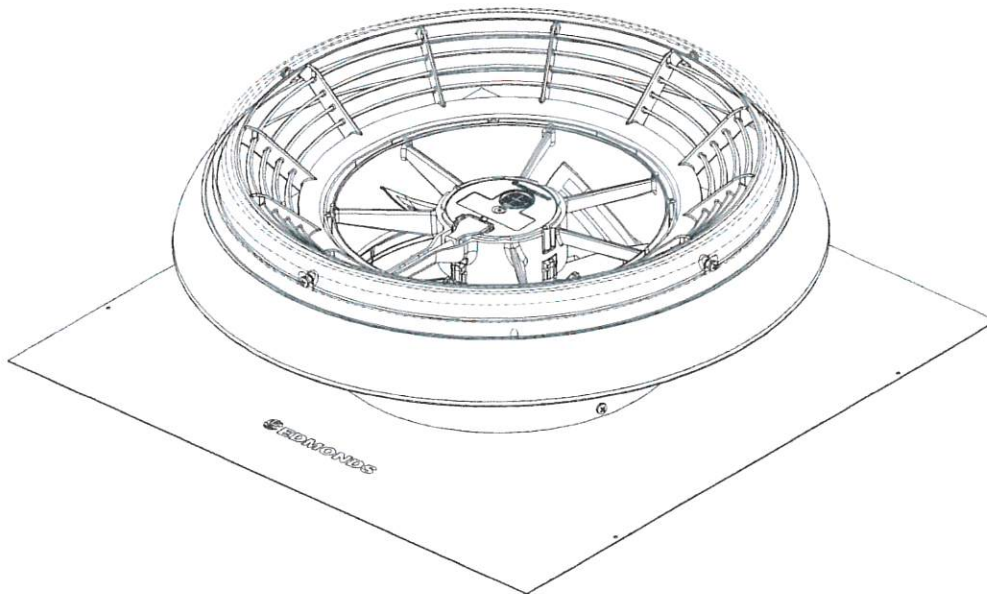
Top:	1.1kg
Varipitch:	0.4kg
Flashing:	0.4kg
Total:	1.9kg

Wind Speed Rating:

241km/h (67m/s) – Performance level 1
(As per AS 4740:2000 Natural ventilators-Classification and performance)

Tolerances:

Size +/- 3mm
Weight +/- 0.1kg



SPECIFICATIONS:

General:

Type: Axial flow fan roof ventilator
Fan diameter: 230mm
Throat diameter: 250mm

Material:

Dome: Plastic (PMMA – Clear, High Impact)
Housing: Plastic (ASA)
Flashing: Aluminium (Soft)
Fan & Motor Housing: Plastic (PP-TD20)
Fan Impeller: Plastic (PA6-GF30)
Screws: Steel – Zinc Plated

Electrical:

- Power Supply
Type: Electronic Switching Mode
Input: 100-240VAC, 1~, 50/60Hz
Output: 24 VDC
Installation Location: Dry indoor use only

- Fan Motor: Electronic Commutating (EC) motor
Internal Voltage: 24 VDC
Protection Class: IP54

Description

150mm throat UV resistant polymer vent. Ideal for ventilating small areas, where the removal of moisture laden air to atmosphere is required.

Technical specifications

- Flow rate: N/A
- Rated wind speed: N/A
- Throat size: 150mm

**Technical features**

- Vertical vane design & precision steel bearings
- Malleable base fits most roof types
- Adjustable varipitch suits slopes up to 45°

Unique selling features

- Small compact design that complements most Australian homes.
- Opening in fl ashing is smaller than one tile space. No need to cut tiles to suit opening

Market position

- Vent for small areas

Reseller features & benefits

- Only two colours to range – black and white.
- Vent takes up very little shelf space due to small size

Warranty

- CSR Edmonds warrants this product when used on domestic premises for 10 years against defects in workmanship, parts or mechanical failure. (See full warranty for details)

Description

A direct ducted ventilation kit designed to continually exhaust moist air and odours from bathrooms. Helps control mould and mildew growth in bathrooms. The Kit consists of 1x TurboVentura, 1x 3m length of ducting, 1x 150mm AirMaster ceiling grille, 1x duct tape.

Technical specifications

- Flow rate: N/A
- Rated wind speed: N/A
- Throat size: 150mm

Technical features

- TurboVentura uses vertical vane design & precision steel bearings
- TurboVentura has a malleable base fits most roof types & adjustable throat suits slopes up to 45°
- Ceiling grille face is held in place magnetically & can be removed for easy cleaning

Unique selling features

- Small compact design that complements most Australian homes
- Opening in flashing is smaller than one tile space. No need to cut tiles to ensure ducting is not compressed when fed through to the ceiling.
- Grille face can be removed for easy cleaning.
- Can operate all day and night to remove moist air and odors at nil cost.

Market position

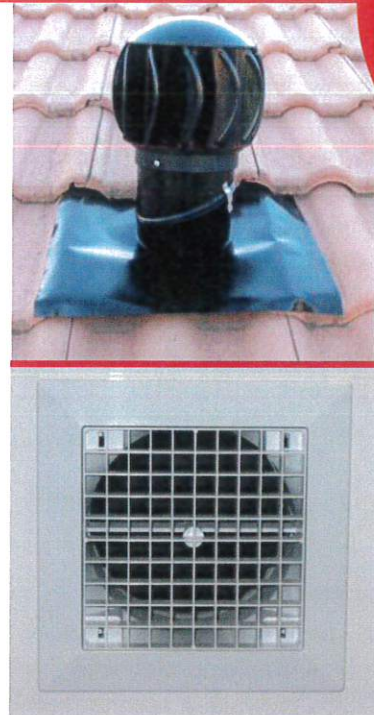
- Unique product designed specifically to cater to bathroom application

Reseller features & benefits

- Small compact carton and only available in black and white, takes up very little shelf space
- Complete kit, no additional accessories are required

Warranty

- TBA



Description

A specially designed ventilator with heat protected bearing system to eliminate downdraught problems with chimneys and flues caused by unfavourable wind conditions.

Technical specifications

- Flow rate: N/A
- Rated wind speed: N/A
- Throat size: 150mm, 250mm & 300mm

Technical features

- Bearing system supported within an extruded 'heat sink'
- Radiated heat protected from bearing by lower protective shield
- Vertical vane design similar to Hurricane

Unique selling features

- Only vent available in Australia that will operate reliably at intermittent temperatures of up to 300oC

Market position

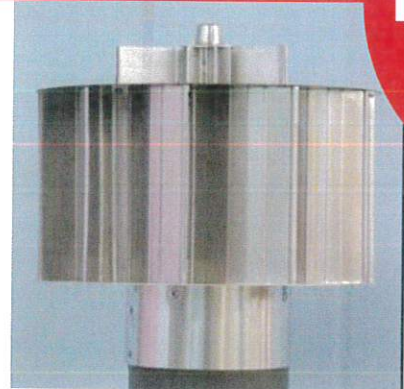
- Only reliable vent designed to overcome back draft problems in chimneys and flues caused by effect of wind direction

Reseller features & benefits

- Sold mainly by heating companies
- Good add-on sale for combustion heaters

Warranty

- TBA

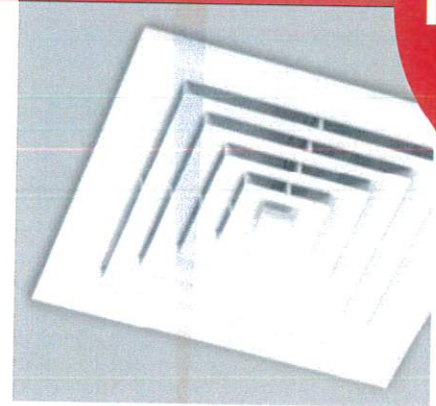


Description

A ceiling mounted, polymer diffuser grille with operable flaps. The Whirly Mate is equipped with self attaching clips and is capable of operation from ground level.

Technical features

- Polymer material is manufactured with UV inhibitors to ensure no yellowing due to UV from fluorescent lights
- Large 305mm x 305mm open area
- 352mm X352mm overall size

**Unique selling features**

- The largest open and closable domestic ceiling vent on the market
- Attractive air conditioner type ceiling diffuser
- Includes insect mesh
- Product comes with a tool which when attached to a 16mm piece of dowel can operate the open/close mechanism at height
- Self closing ceiling attachments enable easy installation

Market positioning

- An integral component of any home roof ventilation system
- WhirlyMate is the best means of providing ample make-up air for roof ventilators
- By moving the replacement air from inside the home, it ensures good air exchange rates within the home which improves air quality

Reseller features & benefits

- An integral part of the home ventilation package
- Obviously a quality product
- Good track record
- Occupies little shelf space and market enables sensible reseller margins
- Product sold in plastic header bags. Four inners to an outer. Product sold to retail in outers of four units.

Important Notes:

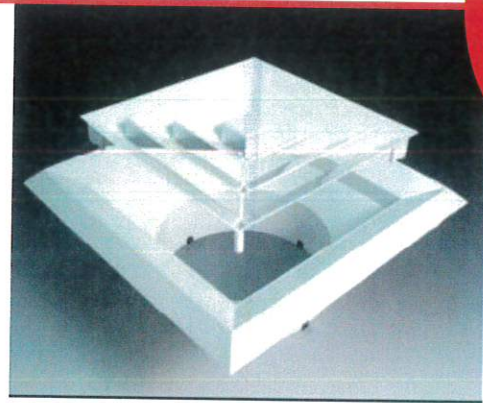
WhirlyMate requires a roof gap of at least 150mm to ensure that the flaps fully open. This gap may be insufficient for many cathedral ceilings. Therefore before recommending WhirlyMate for that application, it is critical that information is gathered about the size of the ceiling gap. It is common for most raked ceiling gaps to be about 100mm.

Warranty

CSR Edmonds warrants this product for 2 years against defects due to workmanship or parts when installed according to instructions.

Description

Revolutionary air conditioning supply grille, constructed from high quality engineering polymers. Housing designed to have low back pressure for energy efficient operation. Incorporates a magnetic detachable face for cleaning purposes.

**Technical specifications**

- Flow rate: N/A
- Rated wind speed: N/A
- Throat size: 250mm & 300mm (adaptor available for 200mm)

Technical features

- Made from high quality engineering polymers
- Unit designed with a free flowing design, to minimise back pressure and reduce the energy cost of running the air conditioning system
- Grille face held on with rare earth magnets, which allow easy removal for cleaning
- The face can be safely washed in a dishwasher

Unique selling features

- Available in either a 250mm or 300mm ducting spigot version
- 1 piece housing with no sharp edges to reduce back pressure

Market position

- Premium unit, very high quality
- Most suited for hygiene applications Eg. hospitals, food services & hotels

Reseller features & benefits

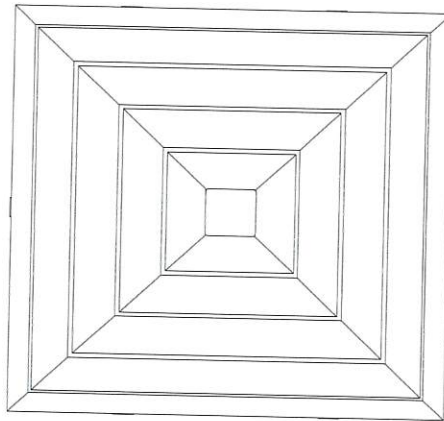
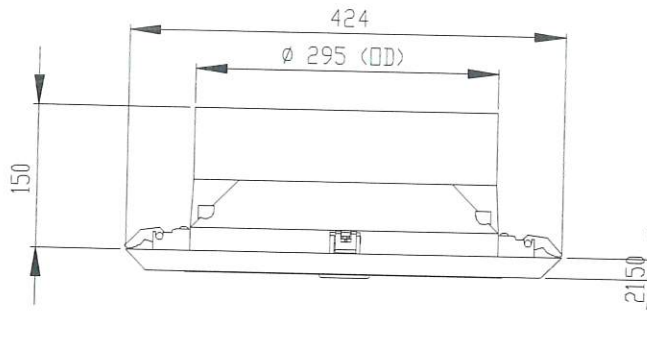
- The reduction in back pressure means the AirMaster will allow the air conditioning system to run more effectively and economically
- No assemble required by tradesman prior to installation
- Grille face easily removed for cleaning

Warranty

- CSR Edmonds warrants this product when used on domestic premises for 15 years against defects in workmanship, parts, or mechanical failure. (See full warranty for details)

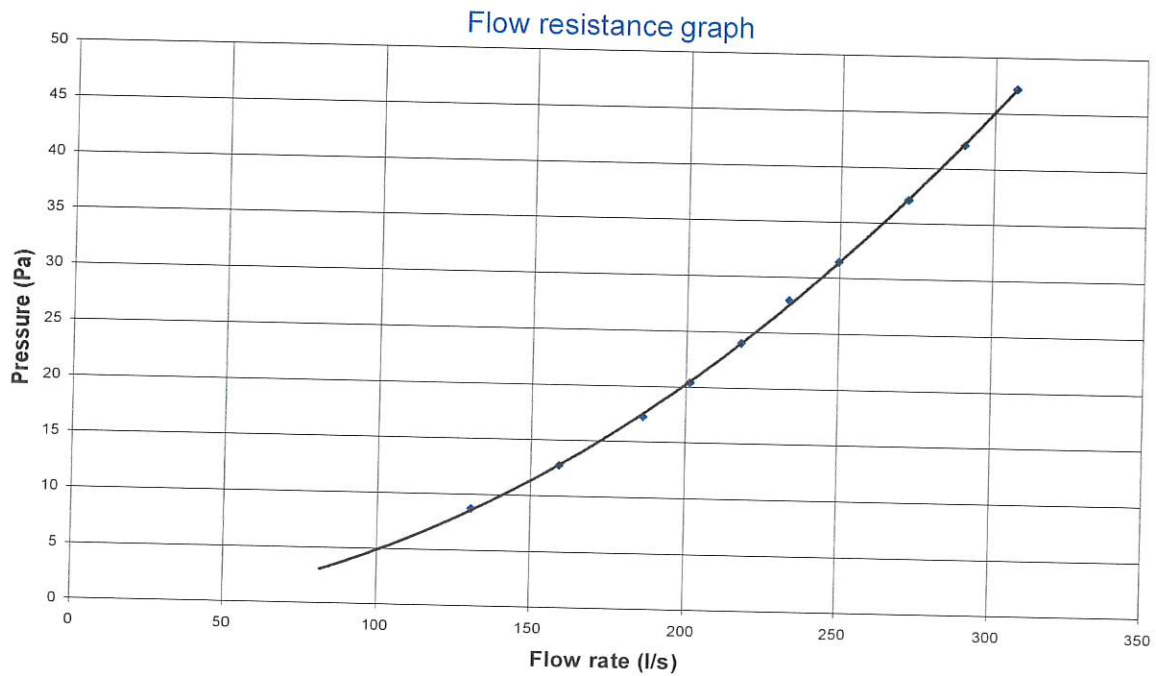
AIRMASTER 300x300 4-WAY, 300mm DUCT:

18



SPECIFICATIONS:

Material: ABS Plastic
Hole Cut-out Size: 375x375 mm

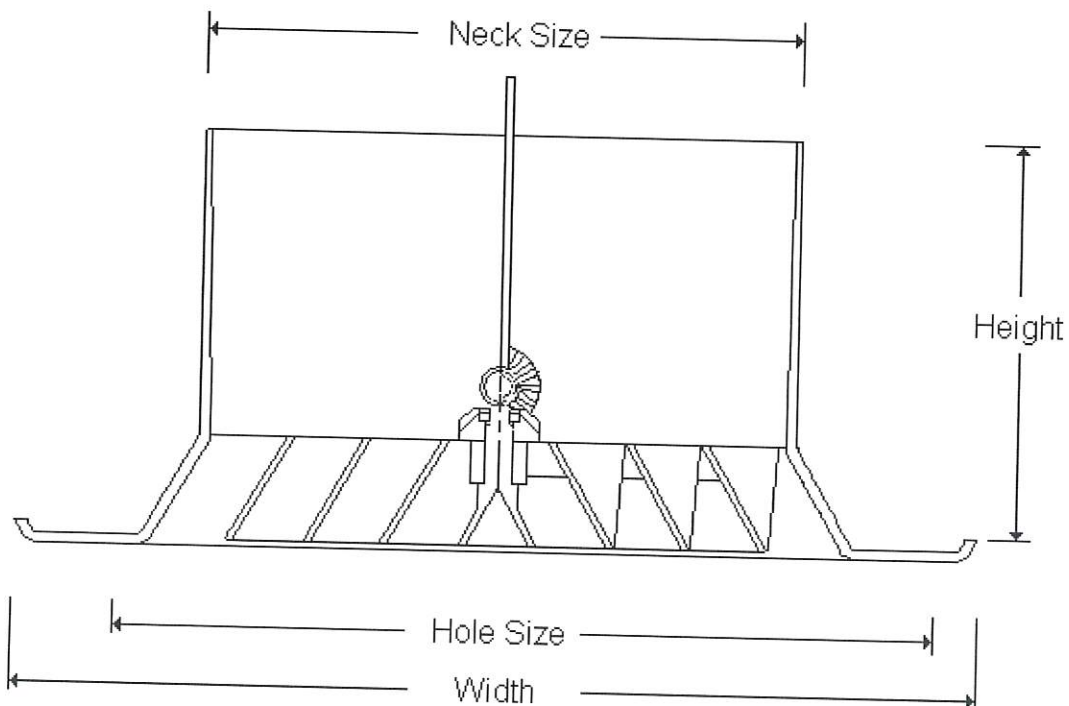


ROUND CEILING REGISTERS 150mm 200mm 250mm:

A range of 3 differing sized ceiling grilles, available in 150mm, 200mm & 250mm. All grilles can be controlled by a butterfly apperature in the throat of the grille. they are the perfect complementary item for any home ventilation system, they allow heat and moisture to be drawn directly from the room.

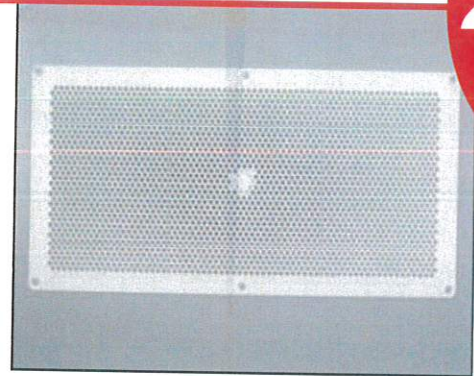


Neck size (mm)	Neck size (inches)	Height (mm)	Hole (mm)	Width (mm)
150	6	97	204	236
200	8	114	255	288
250	10	140	306	336



Description

Unique Australian designed and manufactured Under Eave Vent constructed from highest quality engineering polymers. Design offers performance of 40% more than traditional metal eave vents. Curved air inlet holes restrict insect entry.

**Technical specifications**

- Flow rate: 200m³/hr @ pressure of 4.5Pa
- Rated wind speed: N/A
- Overall size: 418mm x 220mm

Technical features

- Holes are sized to prevent insect entry

Unique selling features

- Performance 40% greater than traditional under eave vents
- Very strong design

Market position

- Premium product
- Greater performance

Reseller features & benefits

- Excellent add-on product for any ventilator sale

Competitive products

- Abey
- Horne
- Marley

Warranty

- TBA

Description

A 150 mm throat, low profile static ventilator with aluminium flashing. Constructed from long life, UV stabilised engineering polymer. Able to be used as, both an air intake and passive exhaust ventilator.

**Technical specifications**

- Flow rate: Variant on stack pressure
- Rated wind speed: Not tested
- Throat size: 150mm

Technical features

- Unit constructed from high quality engineering polymers
- Highly malleable flashing allows installation on most roof types

Unique selling features

- Can be used as either a passive extraction vent or an air replenishment point
- It can also be ducted to an extraction fan

Market position

- Passive ventilator low extraction rate
- Low cost unit

Reseller features & benefits

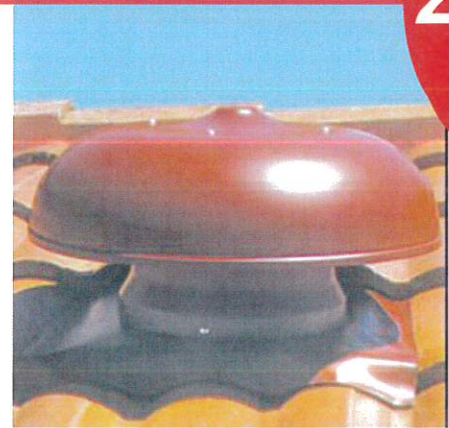
- Two colours only, Black & Clear
- Very small product easy to range and transport

Warranty

- CSR Edmonds warrants this product when used on domestic premises for 10 years against defects in workmanship or parts.

Description

Maestro is a low profile, roof mounted, 12v powered ventilator with EC motor. It is constructed mainly from 1200 aluminium (marine grade equivalent) and supplied with 240v/12v transformer and power consumption is 11W. It is also supplied with a thermostat for internal or roof space mounting.



Technical specifications

- Flow rate: 130 litres/sec
- Rated wind speed: Not tested
- Throat size: 270mm
- 11W EC motor/1AMP
- Noise level 63dBA

Technical features

- Flow rate of unit tested by UTS to 403m³/hr.
- Flashing is identical to Windmaster and is sufficiently malleable to fit neatly to most roof profiles.

Unique selling features

- Low operating cost. Estimated at less than \$10 per annum
- Reliable operation regardless of wind speed
- Relatively quiet operation
- EC motor has a life expectancy in excess of 7 years

Market positioning

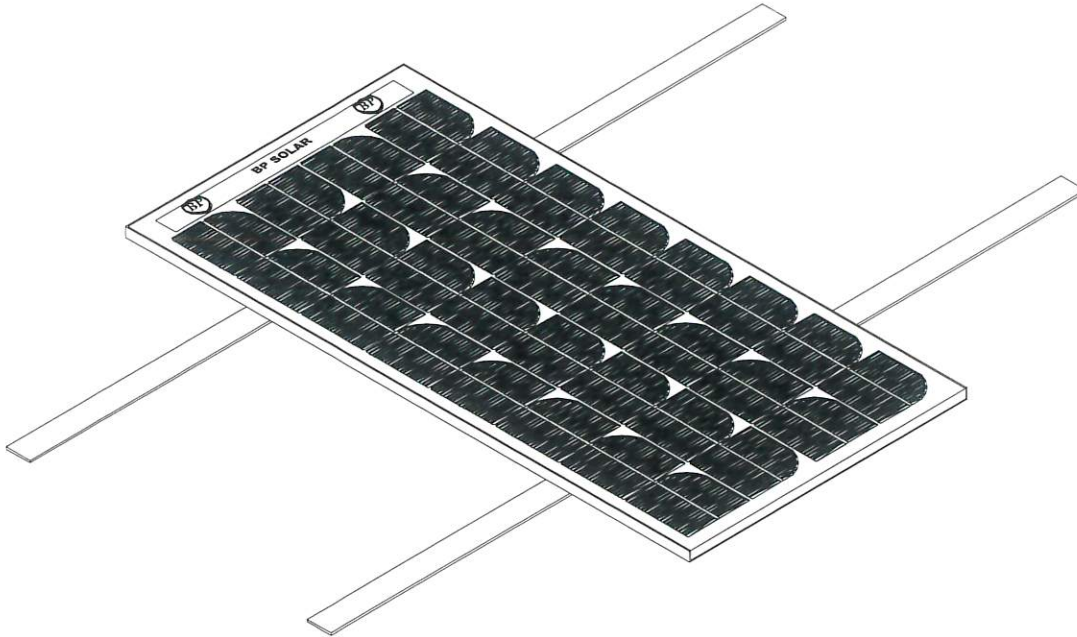
- The most reliable power ventilator on the market
- Lowest operating cost
- Least operating noise
- Can be powered by optional solar power
- Highest quality German motor technology

Reseller features & benefits

Suitable for installation on nearly all metal or tile roofs (Spanish tiles not suitable).

Warranty

- CSR Edmonds warrants this product for 2 years against mechanical failure



SPECIFICATION:

The solar cell array is protected by laminated toughened glass and held in a powder coated aluminium support panel with fixing straps. The performance specifications are listed below.

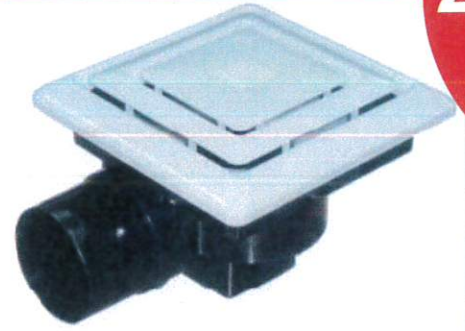
Peak power: 11.5W
 Voltage @ peak power: 15V
 Current @ peak power: 0.77A

DIMENSIONS:

Width (mm)	Length (mm)	Thickness (mm)	Weight (kg)
235	475	8	2

Description

A ceiling mounted radial fan with duct exhaust to enable removal of steam and odours directly to the atmosphere, as required by the BCA.

**Technical specifications**

- Flow rate: 45 litres/sec
- Throat size: 100mm (adaptor available for 150mm)
- 23W motor

Technical features

- Meets requirements of the BCA & AS 1668.2 that bathroom ventilators must be extracted to the atmosphere not the roof space.
- Unit is installed in 205mm x 205mm hole with self mounted spring clips to aid in ease of installation.
- Gravity shutter prevents back drafting and insect penetration.
- Exhaust rate 45L/sec

Unique selling features

- Direct to atmosphere ducting kits can be used to further facilitate air extraction
- Relatively quiet operation
- 2 year warranty offered on the motor

Market position

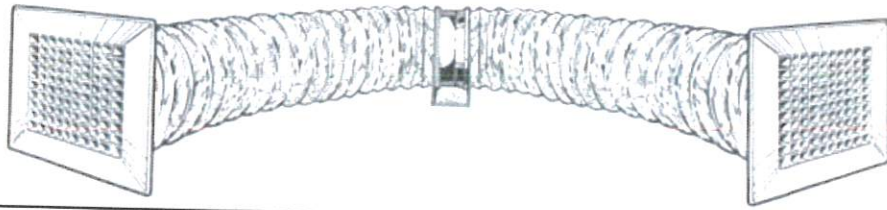
- Meets requirements of the BCA & AS 1668.2 with use of ducting kit
- Premium bathroom extractor fan, as it has ducting capability.

Reseller features & benefits

- Low operating noise & cost
- Able to meet the BCA & AS 1668.2
- 5 Ducting kits available; 2 x wall, eave, roof passive, roof active.

Warranty

- CSR Edmonds warrants this product when used on domestic premises for 2 years against defects in workmanship, parts, or mechanical failure. (See full warranty for details)

**Description**

AirXchanger is a high powered air transfer kit, designed to move conditioned air from one room to another or to move moisture laden air directly to atmosphere. AirXchanger kit includes: 1x High performance in-line fan, suitable for high moisture environments. 2x Edmonds' AirMaster 150 Ceiling Grilles, 1x 6m Ducting & 1x Roll Duct Tape

Technical specifications

- Flow rate: 325m³/h
- Rated wind speed: N/A
- Throat size: 150mm
- 12 volt system

Technical features

- Radial fan suitable for high moisture environments
- AirMaster design incorporates low resistance to flow for increased performance

Unique selling features

- AirMaster grilles face can be removed for cleaning

Market position

- High quality kit
- More unique product than that of competitors, because of the benefits of the AirMaster grille
- Highest quality German motor technology

Reseller features & benefits

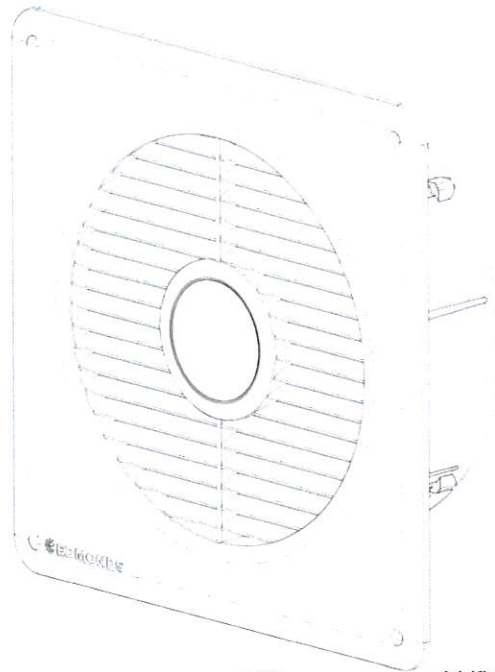
- Ideal add on sale item for heating / cooling companies

Competitive products

- Fantech Plus – Heat transfer System
- HPM

Warranty

- CSR Edmonds warrants this product when used on domestic premises for 2 years against defects in workmanship, parts, or mechanical failure. (See full warranty for details)



SPECIFICATIONS:

General:

Type: Axial flow wall fan
 Fan diameter: 230mm
 Throat diameter: 250mm

Material:

Wall Grille: Plastic (ASA)
 Fan & Motor Housing: Plastic (PP-TD30)
 Fan Impeller: Plastic (PA6-GF30)
 Screws: Stainless Steel (304)

Electrical:

- Power Supply
 Type: Electronic Switching Mode
 Input: 100-240VAC, 1~, 50/60Hz
 Output: 24 VDC
 Installation Location: Indoor, dry area

- Fan Motor:
 Internal Voltage: 24 VDC
 Protection Class: IP54

Approximate lead length 1.0m
 (See drawing for details)

SPECIFICATIONS:

Motor	24V DC
Motor rating (Amps)	1
Power consumption (W)	6.5
Flow rate @ zero static pressure drop (l/s)	67
Noise level (dBA)	62
Weight (kg)	1.4
Power cable length (m)	5
Motor bearings	2 single-row ball bearings

CONSTRUCTION:

Engineered polymer

FINISH:

Brown or white available

Description

German developed filtration technology that utilises particle or active carbon based filters, to provide fresh air to rooms with very low noise . Used where buildings cannot open windows due to noise or air borne pollutants.

Technical specifications

- Flow rate: 30 – 135 m³/h
- Rated wind speed: N/A
- Throat size: N/A
- 9-25W motor

Technical features

- Particle or active carbon filter technology available
- Variable flow rate.

Unique selling features

- Variable flow control, allows the noise produced by the unit to be controlled. enabling extremely quiet operation
- Easy installation.
- Inbuilt noise filter, reduces the amount of external noise that can enter through the unit

Market position

- High quality, reliable Dutch technology
- Can remove harmful air based combustion by-products from automotive fumes

Reseller features & benefits

- Reliability
- Established support systems - CSR

Competitive products

- Aeropac

Warranty

- CSR Edmonds warrants this product when used on domestic premises for 2 years against defects in workmanship, parts, or mechanical failure. (See full warranty for details)



1. Mark the outside wall opening and fixing points vertically, one above the other, (assembly template is supplied with each ventilation unit). Install close to a convenient power supply, taking care to avoid concealed cables & pipes. Drill the two 8mm wall fixing points.
2. Use a powerful drill with 80mm AE cutter for the wall opening.
3. Insert the wall plugs and screws so that they protrude approx. 8mm from the wall.
4. Fit The SONAIR to the wall by locating the keyhole slots in the rear face over the screw heads.
5. Connect to the power supply & the SONAIR is ready to work.

TECHNICAL INFORMATION

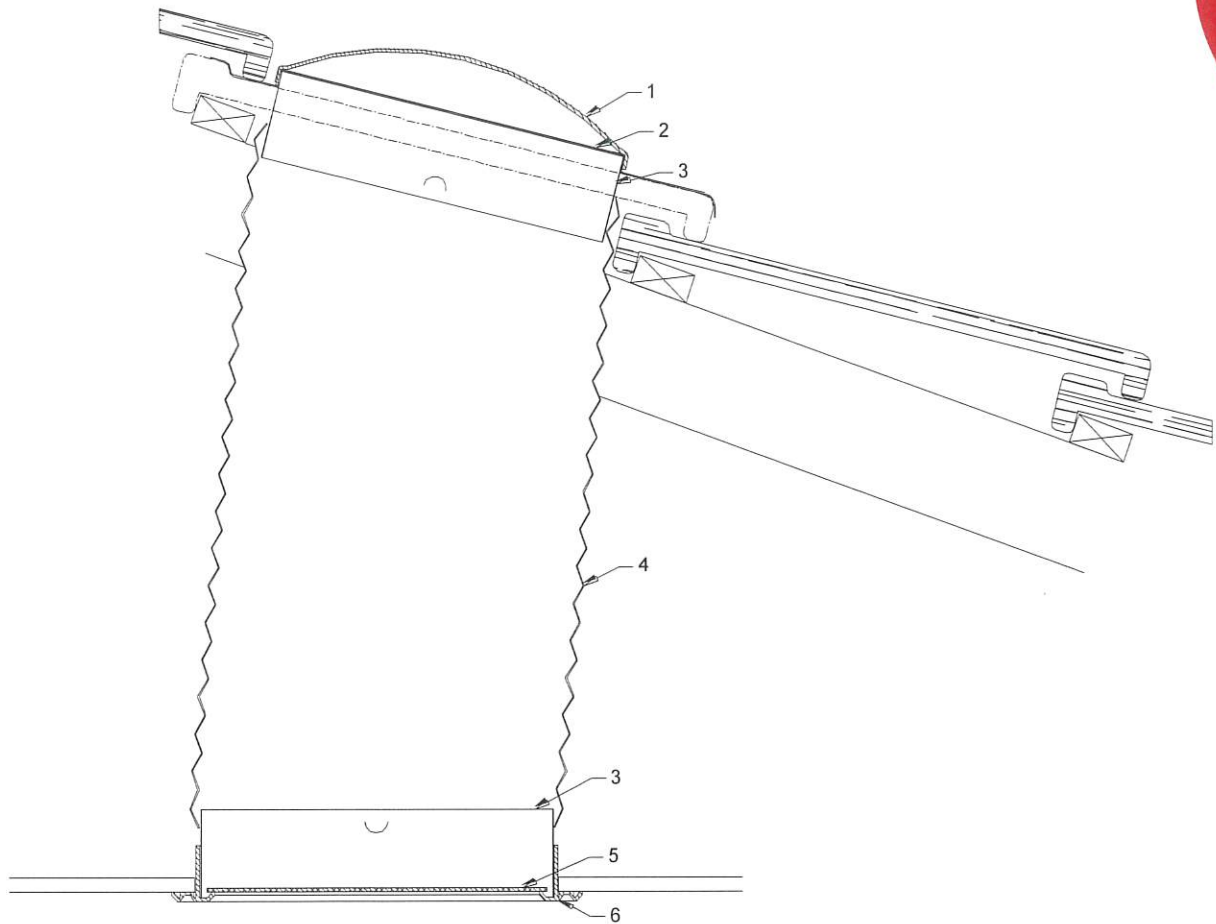
Air movement.	30-135 m ³ /hr
Power Consumption.	9 watt – Max. 25 watt.
Power supply.	230/240V AC, 0.18 amp
PVC Tube dimensions	80mm x 500mm long
Dimensions.	Height: 405mm Width: 250mm Depth: 115mm
Operating Noise Level.	20 dB(A) - max flow 30 dB(A)
Sound Absorption (Vents Open).	Rw - 1.9 = 45 - 47 dB Dn - W = 52 - 54 dB
Air Flow.	Left / right or in both directions.
Filter Type.	Active Carbon Filter

FILTER REGENERATION.

The carbon filter has an anticipated life of about 14-16 months although shorter life spans will occur in heavy use applications. The filter is simple to change and re-fills are readily available. Cost is minimal. Timing for the filter replacement will be apparent when odors commence to be emitted by Sonair.

SPECIFICATION.

A wall-mounted air ventilator, all housed in thermoplastic enclosure, with active carbon filter and acoustic sound absorption.



SPECIFICATIONS:

Roof Dome:	Clear high impact acrylic. UV stable.
Roof Flashing:	500x500x0.7mm Soft aluminium. Suits tile and metal roofs.
Reflective Ring:	0.5mm Anodised aluminium with 86% total reflectivity.
Reflective Flexible Tubing:	300mm diameter reflective spiral tubing. Duct tape roll supplied.
Light Diffuser:	3mm thick clear acrylic prismatic diffuser. Removable for cleaning.
Ceiling Frame:	White ABS. Supplied with plasterboard screws.

Description

A very high quality, tubular skylight that brings natural light and ventilation into the home. They are available in 350mm, 400mm and 500mm throat sizes. Separate soaker trays for tile, metal and custom orb profile roofs.

Technical specifications

- Flow rate: N/A
- Rated wind speed: N/A
- Throat size: 350mm, 400mm & 500mm
- Ducting length: 2m

Technical features

- Soaker tray for tile, metal & corrugated roofs available.
- Under side of the dome can be fitted with vent tabs to reduce heat and condensation build up in the tube & dome
- Flashing can be powdercoated to suit the roof colour (to order)

Unique selling features

- The SolaBrite plus range has three unique soaker trays to suit tile, metal & corrugated roofs, this ensures a perfect fit for most roof types
- Reduction in condensation when using vent tabs, make the unit ideal for use in bathroom, kitchens and laundries.

Market position

- Top end of market

Reseller features & benefits

- The choice of size and soaker tray type, can allow the customer a more comprehensive choice to suit their needs.
- The mill coloured unit are available ex stock

Warranty

- CSR Edmonds warrants this product when used on domestic premises for 5 years against defects in workmanship, parts, or mechanical failure. (See full warranty for details)

